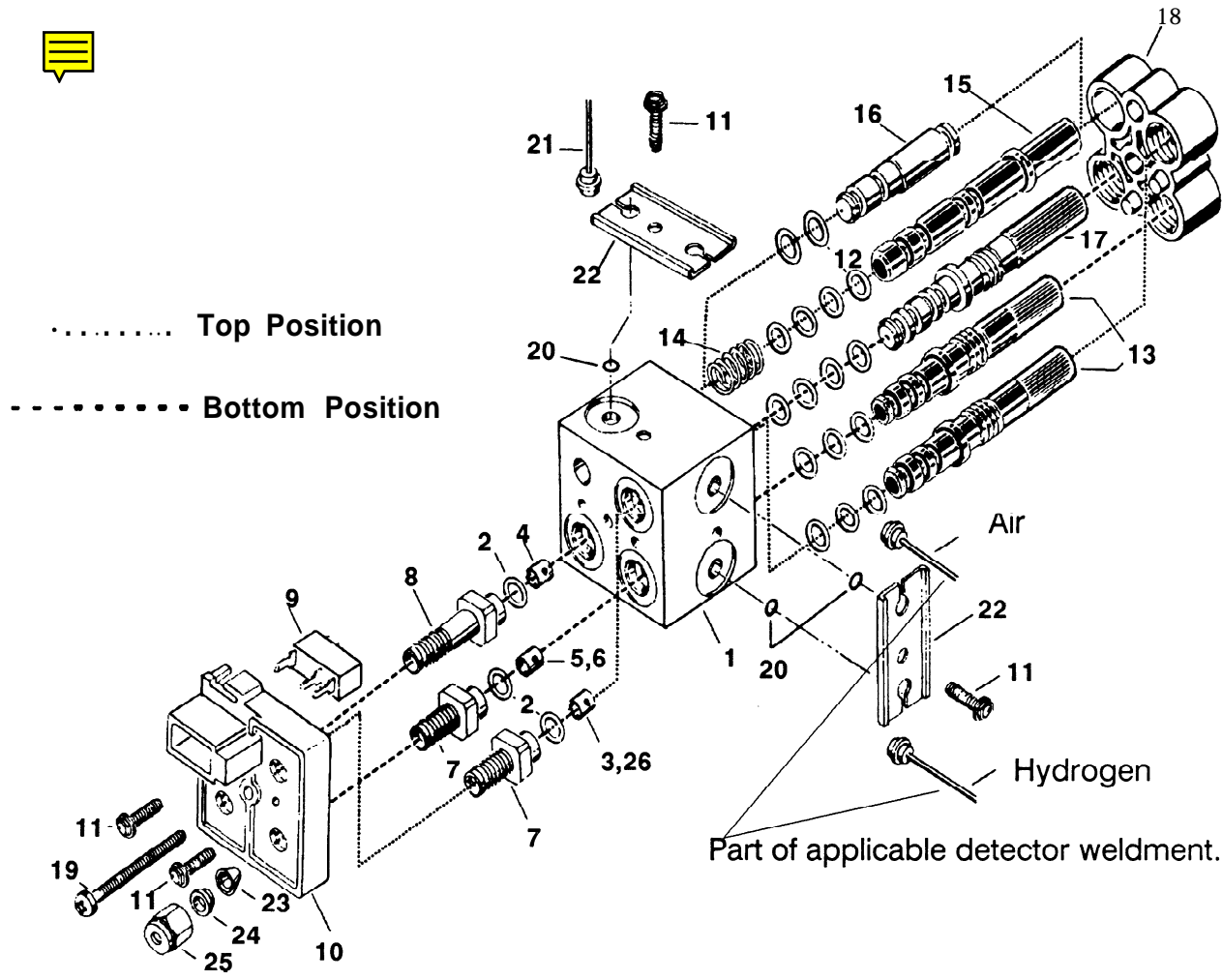


Item	Description	HP Part No.	Use	Qty
1	Flow Manifold Block, FID/NPD	19231- 20520	A,B,C	1
2	O- Ring, 0.239- inch id "Viton" package of 12	0905- 1014 5180- 4182	A,B,C -	3 -
3	Restrictor, Air, Brown	19231- 60610	B	1
4	Restrictor, Aux, Green	19234- 60570	A,B,C	3
5	Restrictor, Hyd.	19231- 60770	B	1
6	Restrictor, Blue (3.3- NPD)	19234- 60660	A	1
7	Inlet Fitting	19231- 20560	A,B,C	2
8	Inlet Fitting, Auxiliary	19231- 20570	A,B,C	1
9	Micro Switch, FID Ignition	3101- 0472	B,C	1
10	Rear Clamping Plate	19231- 40010	A,B,C	1
11	Screw— M4 x 12 mm	0515- 0909	A,B,C	4
12	Non- Greased O- Ring, 0.208- inch id "Viton" package of 12 package of 2, greased	0905- 0999 5061- 5867 5181- 1251	A,B,C - -	20 - -
13	Valve, On/Off	19231- 20540	A,B,C	2
14	Compression Spring	1460- 2039	B	1
15	FID Ignition Valve	19231- 20550	B,C	1
16	Plug Valve	19231- 20530	A	1
17	Needle Valve Assembly (has 4 of Item 12 installed)	19231- 60650	A,B,C	1
18	Front Clamping Plate	19231- 40070	A,B,C	1
19	Screw, M4 x 45 mm	0515- 0964	A,B,C	1
20	O- Ring (0.114- inch id) package of 12	0905- 1039 5180- 4181	A,B,C -	3 -
21	FID Ignition Dump Weldment	19231- 80500	B	1
22	Outlet Fitting Plate	19231- 00060	A,B,C	2
23	Front Ferrule, Brass, 1/8- inch tube	0100- 0032	A,B,C	3
24	Back Ferrule, Brass, 1/8- inch tube	0100- 0036	A,B,C	3
25	Hex Nut, Brass, 1/8- inch tube	0100- 0058	A,B,C	3
26	Restrictor, NPD Air, Green & Brown	19234- 60600	A	1

Use: A = NPD  
B = FID  
C = FPD

**Figure 2. FID/FPD/NPD Flow Manifold Assembly (Sheet 1 of 2).**



\*An FPD Block kit may be ordered as 19256-60640. This kit consists of an assembled FPD Manifold Block Assembly (19256-60630) and an FPD Detector Weldment (19256-80540) (Parts 1, 2, 4, 7 - 15, 17, and 18).

\*An FID Block kit may be ordered as 19231-60760. This kit consists of an assembled FID Flow Manifold 19231-60750 and FID Detector Weldment 19231-80580 (Parts 1 - 5, 7 - 15, 17, and 18).

\*An NPD Block kit may be ordered as 19234-60670. This kit consists of an assembled NPD Flow Manifold Block Assy (19234-60650) and FID Detector Weldment 19231-80580 (Parts 1, 2, 4, 6 - 8, 10 - 13, 16 - 18, 25, and 26).

Figure 2.FID/FPD/NPD Flow Manifold Assembly (Sheet of 2).